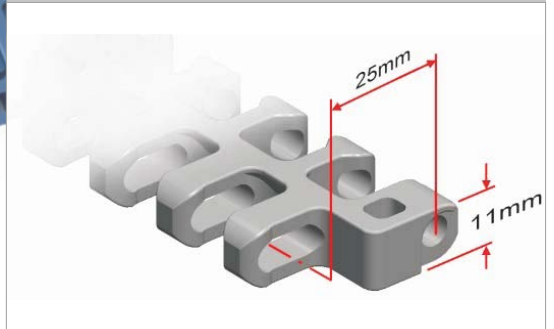


GC250-50B0

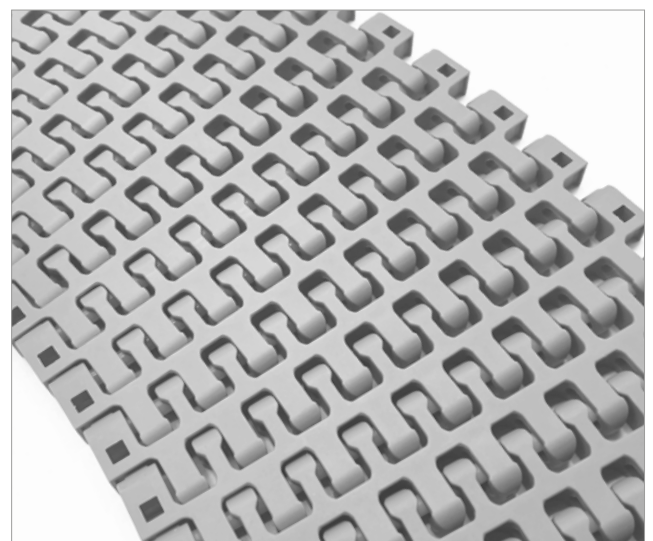
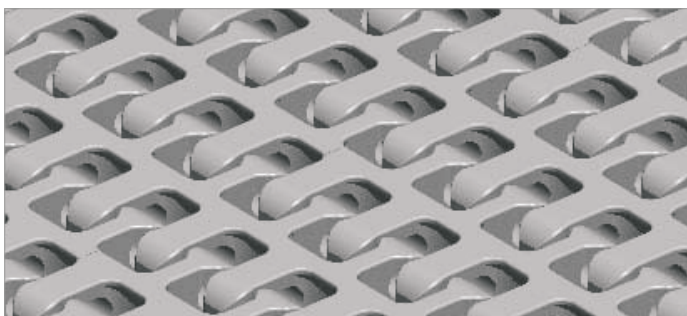


Pitch	Open area	EU	∅ Rod	Flight	Sidewall	Curve
25 mm	36 %	✓	4,9 mm	✓	✓	✓

Material	Color	Resistance of the straight belt		Temperature		Belt weight
		Straight	Curve	°C (min.)	°C (max.)	Kg/m ²
		Kg/m width	Kg/m width			
Polypropylene PP	BL, WH*	1060	106	1	100	5
Acetal POM	BL, WH*	1720	172	- 40	80	9,6

Widths

Modules		Minimum belt width (mm)	Width increments (mm)
Central (mm)	Side (mm)		
134	165	165	16,75



*Consult availability.
BL= Blue, NT= Natural, WH= White.