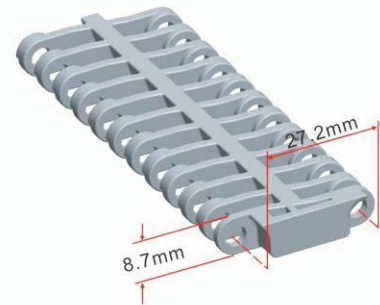


G272-70BN0

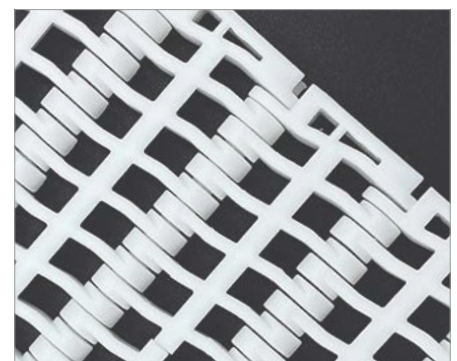
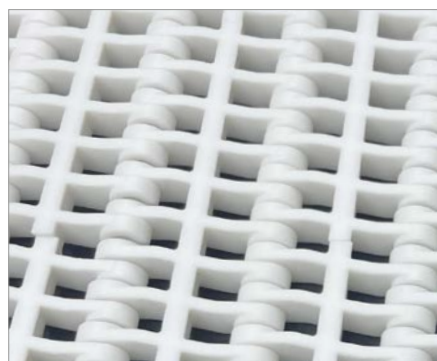


Pitch	Open area	EU	∅ Rod	Flight	Sidewall	Curve
27,2 mm	38 %	✓	4,5 mm	✓	✓	✗

Material	Color	Resistance of the straight belt	Temperature		Belt weight
		Kg/m width	°C (min.)	°C (max.)	Kg/m ²
Polypropylene PP	BL, WH	1040	1	100	4
Polyethylene PE	BL, NT*	520	- 60	60	4,8
Acetal POM	BL*, WH	1620	- 40	80	6,2

Widths

Modules		Minimum belt width (mm)	Width increments (mm)
Central (mm)	Side (mm)		
152,4	50,8 / 101,6	152,4	8,47



*Consult availability.
BL= Blue, NT= Natural, WH= White.